

Bellows suction cup

S.B30T81.G14M.01



- ▶ 升降运动可用于分离细小物体。
- ▶ 只有当举升力与物体表面平行时，才可抓取轻量物体，以达到良好的精度和安全的举升运动。
- ▶ 具有高度调节能力。
- ▶ 带过滤网
- ▶ TPU是一种无痕材料的吸盘，在被吸取的物体上不会留下任何痕迹。

举升力

说明	垂直			水平		
	20 -kPa	60 -kPa	90 -kPa	20 -kPa	60 -kPa	90 -kPa
提升力	12.0 N	40.0 N	54.5 N	14.5 N	32.0 N	41.0 N

技术数据

说明	单位	数值
内部容量	cm ³	10.0
重量 kg:	g	14
最小曲线半径 - 60 kPa	mm	16.5
最大垂直运动范围	mm	12.4
应用	-	Glass handling, Mark Free,
材料	-	Thermoelastic Polyurethane, (TPE-U)
颜色	-	透明
吸盘支架	-	B-MF
吸盘形状	-	Bellows
肖氏硬度A	-	81 °Shore A
温度范围 (° C)	°C	-20 – 80
最大驱动外径	mm	39.3

接头规格

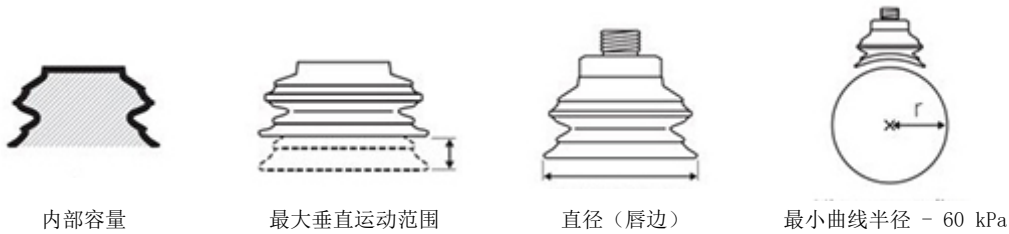
说明	数值
接头尺寸	1/4"
接头类型	Male
接头型号	G-Thread
Fitting material	SS, Al, NBR
可选接头	Filter mesh

材料耐受性, 热弹性聚氨酯

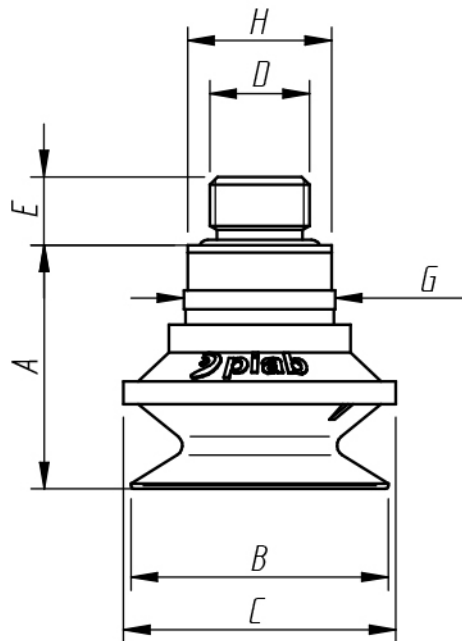
说明	数值
乙醇	良好
浓酸	差
乙醇	N/A
水解作用	差
甲醇	N/A
油	优秀
氧化作用	良好
汽油	差
耐磨度	优秀
天气和臭氧	优秀

在以下特定情况下测试得到相关数据:

- 室温 (20°C [68°F] ± 3°C [5.5°F]).
- 标准大气 (101.3 [29.9 inHg] ± 1.0 kPa [0.3 inHg])
- 相对湿度 20-70%.
- 压缩空气品质, DIN ISO 8573-1 class 4.



尺寸图



产品代码	说明	单位	数值
A	建筑物高度	mm [inch]	32.0 [1.26"]
B	直径 (唇边)	mm [inch]	34.0 [1.34"]
C	直径 (波纹体)	mm [inch]	36.0 [1.42"]
D	螺纹	-	G1/4"
E	螺距	mm [inch]	9.0 [0.35"]
G	直径 (吸盘上部)	mm [inch]	20.0 [0.79"]
H	道具	mm	SW 19

订货信息

说明	产品代码
Bellows suction cup, Ø 30mm, Thermoelastic polyurethane, TPU, 81 °Shore A, G-Thread, 1/4", Male, Filter mesh	S.B30T81.G14M.01

订购信息, 备件

说明	货号
Fitting G1/4" male, 30-40, with mesh filter	3250091
Suction cup B30MF Thermoelastic polyurethane	0101112

订购信息，附件

说明	货号
Fitting 1/8" NPSF female, 30-40	3250005
Fitting 1/8" NPSF female, 30-40, with mesh filter	0101153
Fitting 1/8" NPSF female, 30-40, with dual flow control valve	3251006
Fitting 1/8" NPSF female, 30-40, with cone valve	0101156
Fitting 1/8" NPSF female, 30-40, PA	3150197
Fitting G1/4" male, 30-40, with mesh filter and dual flow control valve	3251007
Fitting G3/8" male, 30-40, with mesh filter	3250086
Fitting G3/8" male, 30-40, with mesh and dual flow control valve	3251009
Fitting 5x1/8" NPSF female, 30-40	0100261
Fitting 5x1/8" NPSF female, 30-40, with dual flow control valve	3251011
Fitting 1/4" NPT male, with mesh filter	3250093
Fitting 1/4" NPT male, with dual flow control valve	3251008
Fitting 3/8" NPT male, with mesh filter	3250089
Fitting 3/8" NPT male, with dual flow control valve	3251010
Fitting G1/8" male, 40, with mesh filter	0200714
Suction cup B30 Chloroprene	0103845
Suction cup B30 Silicone	0103846
Suction cup B30 Silicone FCM	0200406

储存指南 (扫描二维码)

