

Piab gives you service all over the world.
To find your local distributor, please visit www.piab.com

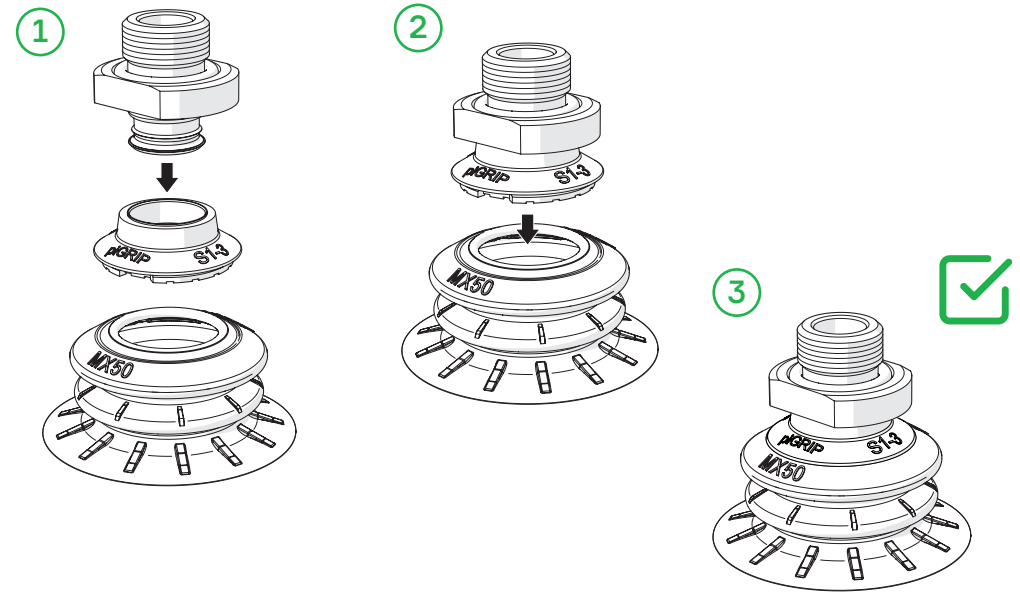
Manual MX suction cup



Rev 01
Piab AB, 2020-12



Mounting instructions of support and fitting



The MX suction cup family

The MX suction cup family is designed for lower vacuum levels and flows. The super-thin lip seals well on many different types of objects, thereby ensuring a safe picking and lifting.

Use recommended vacuum levels for the cup (20 to 60 -kPa) for maximum performance, throughput and energy saving.

Ordering information

	Cup	Item no. cup excl. support and fitting
1	MX35	0230369
2	MX50	0230370
3	MX65	0230371

QR code link to mounting instructions (pdf)



Mounting instructions of clamp fitting

