

Suction cup F26 Silicone FCM, G1/4" male

, 9914238



- Designed for opening bags in bag filling stations.
- Also suitable to handle thin and sensitive sheets, such as paper and plastic films.
- The thin, conformable lip and clever cleat pattern prevent sensitive object/sheet to get sucked in and damaged while giving enhanced lifting force.
- FDA approved silicone material.

Curve radius	25 mm
Movement, vertical max.	1.5 mm
	FDAEU, / - /
	FDA
	F
	1.6 cm ³
Weight	4.1 g

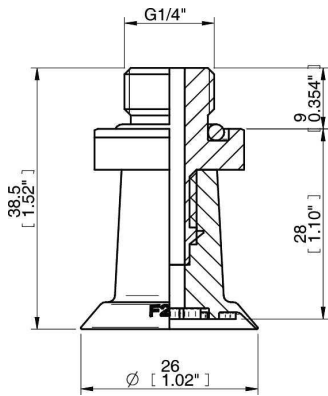
	1/4"
	G

	38.5 mm
Outer diameter	26 mm
	27.3 mm

		
20 -kPa	11 N	9 N
60 -kPa	25 N	21 N
90 -kPa	31 N	26 N

	FDA
	50 'Shore A
Temperature	-40 – 200 °C

	FDA
	++
	-
	N/A
	+
	N/A
	-
	+++
	-
	++
&	+++



Suction cup F26 Silicone FCM	0201216
Fitting G1/4" male	0201967

Fitting 1/8" NPSF female	0201969
--------------------------	---------